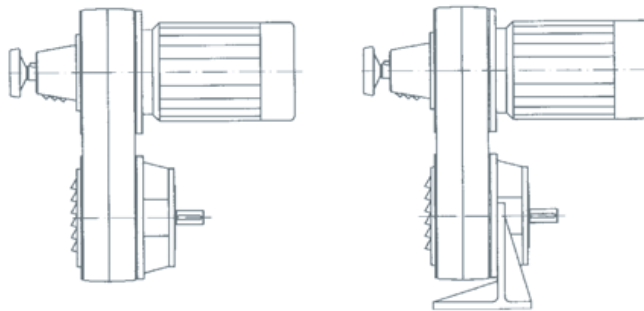


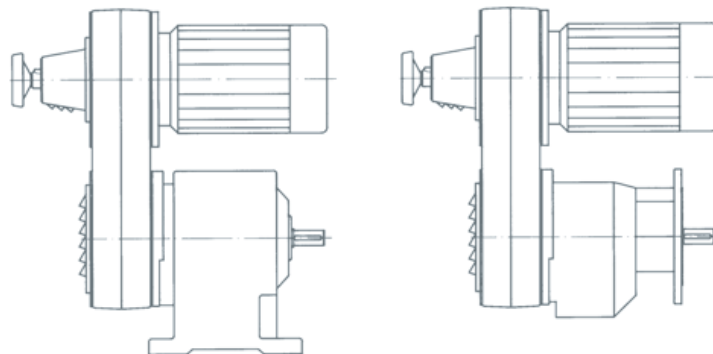
VARIABLE SPEED GEAR MOTORS

Basic modules with options for system-compatible additions

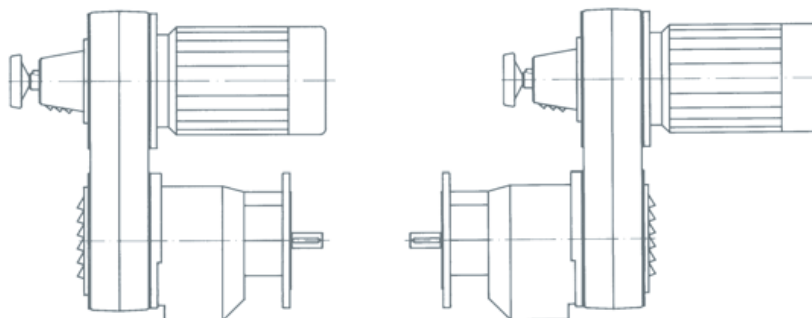
Attachment unit foot or flange version



Gearboxes in foot or flange design



U-type / Z-type



VARIABLE SPEED GEAR MOTORS

Basic modules with options for system-compatible additions

Various gears

